

Hoisting Equipment Cable puller accessories



LMG Cable grip

Pulling force 2000 - 5000 daN

The LITTLE MULE® cable grip is a device for gripping, pulling and tensioning uncoated wire ropes, cables and metal rods in all forms up to a tensile strength of 1770 N/mm² but is dependant on the diameter and surface condition.

The parallel jaws provide a firm, non-slip grip without causing damage to the wire rope. A special spring-loaded guide prevents the grip from dropping off the wire rope and allows instant release without jamming.

LMG I-X und LMG II-X are supplied with grooved jaws and are suitable for wire ropes with a tensile strength of up to 1960 N/mm², but is dependant on the rope diameter and surface condition.

INFO

Yale hoists and trolleys are not designed for passenger elevation applications and must not be used for this purpose.

Technical data LMG

Model	Art.-No.	Pulling force daN	For rope diameter mm	Eye opening mm	Weight kg
LMG I	N02606516	2000	4.5 - 15	31 x 44	1.6
LMG I-X	N02608042	2000	5 - 15	31 x 44	1.6
LMG II	N02606517	3000	8 - 20	31 x 44	2.9
LMG II-X	N02608043	3000	8 - 20	31 x 44	2.9
LMG III	N02607609	5000	18 - 32	66 x 93	9.5

Hoisting Equipment Cable puller accessories

Pulley blocks, hinged, with single steel sheave

Capacity 1000 - 6400 kg

One side of the Yale pulley blocks is hinged and can be opened for easy and quick positioning of the wire rope on the sheave. It can also provide a quick and versatile rigging point or redirect a wire rope.

Features

- Swinging the hook in the direction of pull securely locks the pulley block.
- The high quality cast steel sheaves have machined grooves and are fitted with Permaglide[®] bushes.



INFO

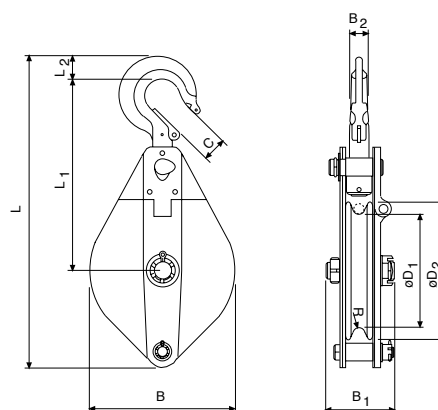
When choosing and classifying pulley blocks, take the "Grundsätze für Seiltriebe" DIN 15020 into consideration.

Technical data Pulley blocks

Model	Art.-No.	Capacity kg	Roller diameter mm	Rope diameter mm	Weight kg
Pulley block 1000	N46000005	1000	85	7	3.3
Pulley block 2000	N46000003	2000	150	13	8.9
Pulley block 3200	N46000004	3200	180	15	15.5
Pulley block 6400	N46000006	6400	210	18	26.5

Dimensions Pulley blocks

Model	Pulley block 1000	Pulley block 2000	Pulley block 3200	Pulley block 6400
B, mm	118	199	230	270
B1, mm	76	92	108	116
B2, mm	17	24	28	35
C, mm	23	27	31	42
Ø D1, mm	85	150	180	210
Ø D2, mm	105	190	220	260
L, mm	305	425	496	655
L1, mm	200	263	295	375
L2, mm	23	30	40	47
R, mm	4	7	9	10



INFO

Yale hoists and trolleys are not designed for passenger elevation applications and must not be used for this purpose.

